

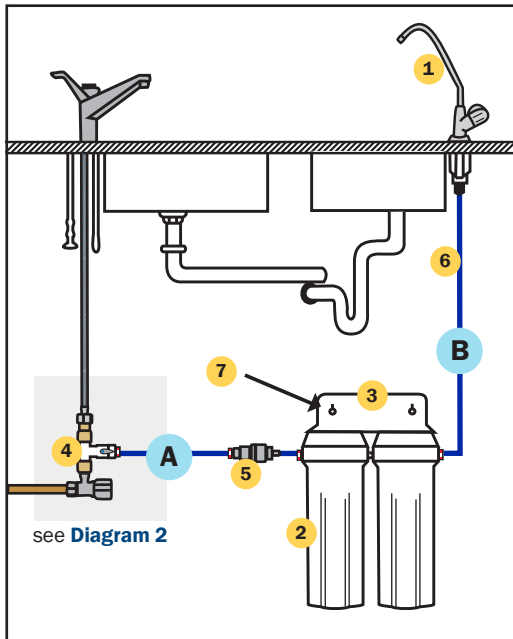
PLEASE READ THIS MANUAL CAREFULLY BEFORE INSTALLATION

CONGRATULATIONS on your purchase of the Doulton Ceramic Twin Undersink system.

With proper installation and maintenance of this unit you will enjoy many years of reliable service, providing you and your family with genuine sub-micron, premium filtered water.

Step by Step Installation

Diagram 1 - Undersink Setup



- A** 1/4" **blue tube** connects the feed water valve to the Pre-Filter.
- B** 1/4" **blue tube** connects the Carbon Block Post Filter to the chrome faucet.

Included Parts

- 1** Chrome Faucet
- 2** Housing
- 3** Stainless Steel Bracket
- 4** Tee Piece
- 5** PLV
- 6** Blue Tube
- 7** Screws
- Red Clips

Specifications

Filter Output	5000 litres
Max Flow Rate	3 litres p/min
Dimensions (cm)	23(W) x 32(H) x 13(D)
Warranty	5 years*

*Warranty Terms & Conditions apply. For more information go to www.watershop.com.au.

0.2 Micron Nominal
Micron Rating

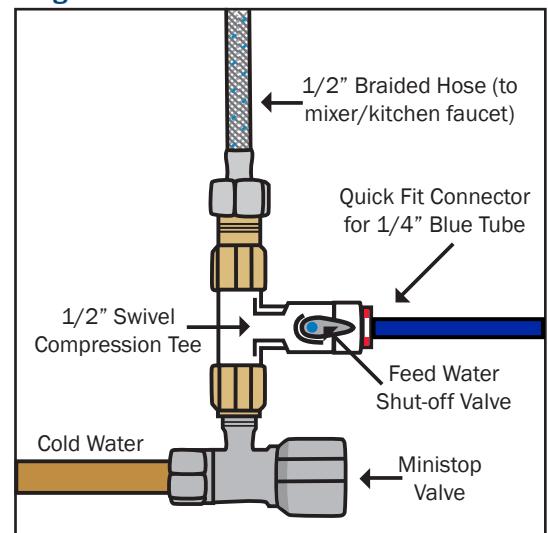
- 1** **Installing your undersink system** - Taking into consideration ease of maintenance, find a convenient location beneath the benchtop. Using the selftapping screws provided, attach the filter to the cupboard wall (allowing approx 50mm height for servicing). The system may otherwise stand freely on the cupboard floor.
- 2** **Shut Off the Water Supply** - Locate the water ministop valve (see **Diagram 3**) for the cold water feed line. (To identify the hot and cold water pipes, turn on the hot water at the faucet. After the water is warm to the touch, feel the pipes under the sink).

Close the cold water ministop valve. Turn on the **cold water** at the faucet to assure that the line is completely shut off and drained. (If there is no cold water ministop valve located under the sink, it is necessary to turn off the main water supply at the entry to the house).

WARNING: This unit must be installed on the COLD water line.

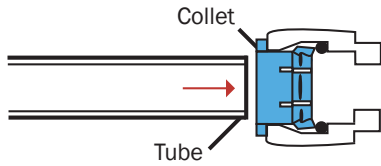
- 3** **Attach Swivel Compression Tee (see Diagram 2)** - Unscrew braided hose from ministop valve. Screw in the swivel compression tee. Reattach braided hose.
- 4** **Connect the System** - To make a connection, the tube is simply pushed in by hand. Please refer to **Diagram 3**. Where possible, leave tubing long, do not cut to an exact length. Ensure cut is straight and square with a clean surface.

Diagram 2

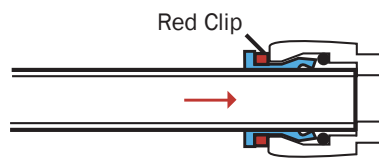


PLEASE READ THIS MANUAL CAREFULLY BEFORE INSTALLATION

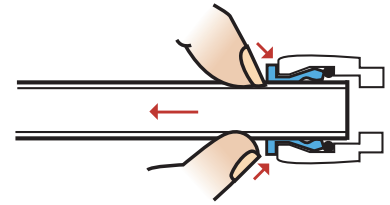
Diagram 3 - Tube Connections



1 To make the connection, push the tube firmly into the connector.



2 Make sure the tube is pushed as far as it can go and secure with a John Guest red clip.



3 To remove the tube - first, remove the red clip and then use two fingers to push onto the collet and at the same time pull out the tube.

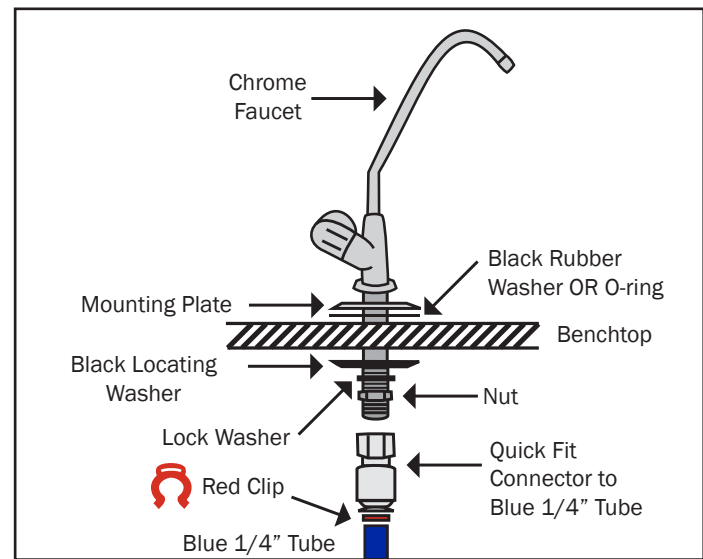
5 Faucet Installation

The pure water faucet may be installed on any flat surface over 50mm (2") in diameter. *(Remember: check the underside of the location for interference).* Make a small indent using a centre punch to mark the desired drilling location. Drill a pilot hole with a metal drill. Enlarge the hole using a 1/2" metal drill bit.

Once the hole has been drilled install the faucet as per **Diagram 4**. Be sure the faucet body, chrome plate, and the black rubber washer are placed above the sink. Install the black locating washer, the lock washer and nut underneath, then tighten firmly while aligning faucet in the desired direction.

Install female Quick Fit Connector to the end of the faucet (see **Diagram 4**).

Diagram 4 - Your choice of designer faucet



6 Activating the System for the First Time - Once all tubing has been connected, place the pure water faucet in the on position, then open the ministop valve slowly. This will allow any trapped air to escape. Check plumbing assembly and the undersink system are secure and free from leakage.

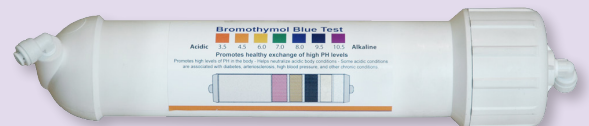
If there are no detected leaks, leave the pure water running for a few minutes to flush the new filter cartridges. Water may be slightly discoloured and have some aeration, this is normal and will clear shortly.

Allow the system to stand for 2 to 3 hours and then flush again for several minutes. Your system is now operational.

Interested in Alkaline Water?

Add a AlkaHydrate Filter to your system

- **Raise pH** - Ideal for those who are looking to reduce acidic toxic waste in the blood, tissues and fluids of the body.
- **Add Ionic Organic, Natural Minerals**
- **Lower ORP (Oxygen Reduction Potential)** - enhance potent anti-oxygenating qualities.



Providing great tasting pure water for over 30 years...