

Doulton®

Sterasyll® Ceramic Filter Cartridges

Doulton® has been a leading name in drinking water filtration for over 150 years.

Doulton® ceramic elements are now available in a range of standard cartridge formats which bring the quality associated with the Doulton® name to the general filtration market.

Sterasyll®

Features

- Fits Industry standard 10" filter housings.
- Filtration efficiency of 100% at 0.9 micron
- Filtration efficiency of > 98% at 0.2 micron
- Highly efficient bacteriological filtration with >90% efficiency at 0.05 microns
- Tested with live Cryptosporidium to a removal efficiency 100%
- Ideal for RO guard and post filtration
- Complimentary to UV systems



Sterasyll® Ceramic

Doulton Sterasyll is a highly efficient ceramic micro filter which provides genuine sub micron filtration of drinking water.

Sterasyll is manufactured with the highly consistent and controlled pore structure necessary to remove a wide range of water borne contaminants over the life of the cartridge.

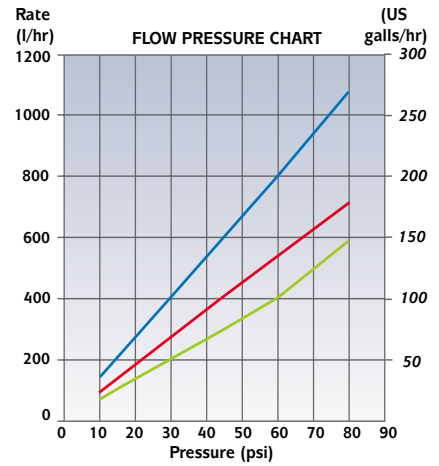
In addition to fine particulate matter, bacteria, cysts and turbidity are removed to a high level of efficiency. The incorporation of silver locked within the ceramic structure inhibits the growth of bacteria and gives each cartridge enhanced bacteriostatic and self sterilising properties.

Doulton®

Filtration Data Sheet

Filtration Efficiency

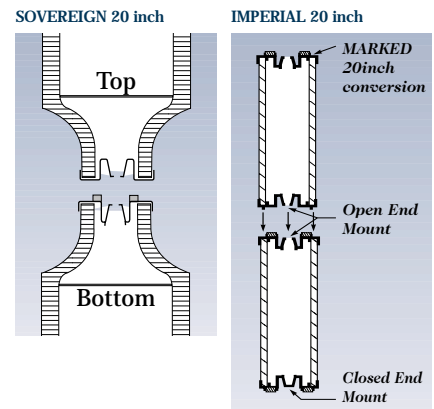
Absolute filtration rating	(defined as > 99.9999%)	0.9 micron
Nominal filtration rating	(defined as 99.99%)	0.5 - 0.8 micron
% Bacteria removal	E.coli	> 99.99%
	Vibrio Cholera	> 99.99%
	Shigella	> 99.999%
	Salmonella Typhi	> 99.999%
% Cyst removal	Klebsiella Terrigena	> 99.999%
	Cryptosporidium	100%
	Giardia	100%



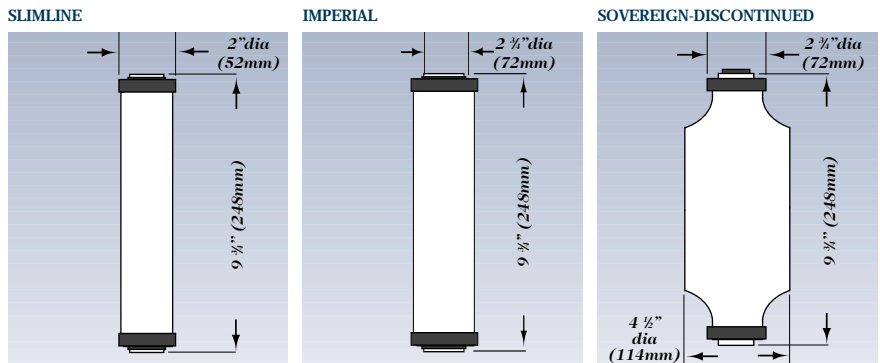
■ 4 1/2 inch diameter Sovereign
■ 2 3/4 inch diameter Imperial
■ 2 inch diameter Slimline

20 Inch Filter Housings

Imperial ceramic (2 3/4") and Sovereign (4 1/2") filter cartridges can be supplied with a second adaptor cartridge to allow fitting in 20 inch filter housings. Due to slight variations in housing design, please state housing manufacturer when ordering.



Cartridge Dimensions



Cartridge Shipping Specification

	Individual cartridge weight	Quantity per outer carton	Outer carton gross weight
Slimline 9 1/4 x 2"	0.2 kg	25	8 kg
Imperial 9 1/4 x 2 3/4"	0.4 kg	9	6 kg
Sovereign 9 1/4 x 4 1/2"	0.8 kg	4	5 kg
Standard carton size 33 x 33 x 34 cm			

Product Specification

Working temperature range	40/5 - 100/38°F/C
Working pH range	5.5 - 9.5
Minimum working pressure	10 psi
Maximum working pressure	125 psi

Distributed by:

Doultonusa.com

1.888.664.3336 in US

248.258.5500 int'l

Doulton® water filters are manufactured by: FICL, UK



BS EN ISO 9002: 1994
Certificate Number: 90082

