

Instant boiling and chilled filtered water



“Recommended for high-end residential, or small office applications, the Billi Eco is space, energy and time efficient”



XL Levered Tap in Chrome.
Pictured with optional font.

Space Efficient

With a focus on space saving, the Billi Eco measures only 340mm high by 180mm wide x 500mm deep. This under bench unit is designed to maximise available space under the sink.

Time Efficient

With the highest immediate cup rates on the market, the need to queue for hot or chilled drinking water is removed with the Billi Eco.

Energy Efficient

Superior insulation is critical to the sustainable performance of any integrated boiling system. The Billi Eco utilizes Billi's unique high performance Thermostore™ technology and insulation materials which operate at a level of efficiency which exceeds 50 times that of a traditional hot water tank. In addition the Standby mode will ensure after a set period of non-usage the unit will power down to prevent excess energy consumption.

Unique Eco-Intelligence™ Technology

The Billi Eco incorporates Eco-Intelligence technology which is a self-learning timer allowing the unit to operate when required. The self-learning timer monitors daily usage patterns and even recognizes evening and weekend changes in routine to effectively minimise energy consumption.



XT Touch Tap in Brushed Chrome

No Cupboard Ventilation Required

The Billi Eco unit is the only aircooled unit available that does not require the provision of ventilation or ventilation grilles.

Safety First

Billi's SplashFree boiling water delivery electronically varies the water flow, slowing momentarily to eliminate splashing as the water first enters the cup. All Billi dispensers are supplied as standard with a safety switch.

Adjustable Chilled Temperatures

A simple adjustment allows the chilled water to be raised to 15°C, or lowered to 6°C for perfectly chilled, refreshing drinks, with your required temperature being quickly reached and maintained. The boiling side is set at 98.5°C.



XR Remote Tap in Optional Matt Black

New Unprecedented Tap Range

Four tap styles in 12 stunning and elegant colours. Popular for colour matching.

Eco Specification Sheet

Specifications and guide to model selection *

*1 cup = 170ml. Based on the initial

Product Number	Model Name	Initial cup delivery & suggested no. of persons	Boiling water delivery cups per hour	Chilled water delivery cups per hour	Current Draw Amps	Height mm	Width mm	Depth mm
901000	Eco	10	90	60	10	340	180	500

Power Supply

The Billi Eco model requires a standard 10a power supply. All Billi models are supplied with 1m flex cord and plug.

Water Supply

A single 15mm (1/2") inline tap with a male thread should be installed in an easily accessible position. Water supply must be microbiologically safe to drink, with a minimum dynamic water pressure of 250kPa and a maximum water pressure of 500kPa. Where water pressure is higher than this a Pressure Limiting Valve is required. Billi recommends that any PLV should have anti-hammer properties

Filtration

Billi's premium filters ensure that health threatening pollutants and impurities such as sediment, chemicals, heavy metals, chlorine and pesticides are safely removed leaving you with refreshingly clean drinking water. All Billi cartridges are certified by global public safety agency NSF International. Filter changes are made simple by our swing change system, and replacements are obtained by calling The Watershop on 02 9458 1111. Optional sub-micron and premium sub-micron filters are also available if required.

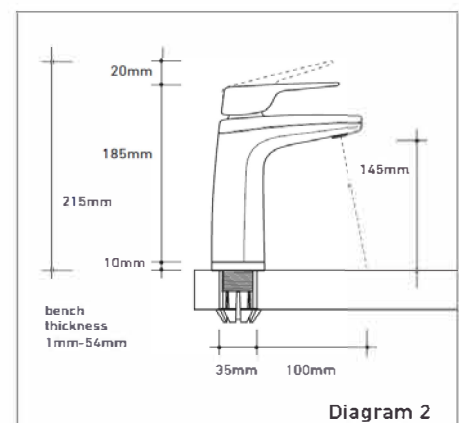
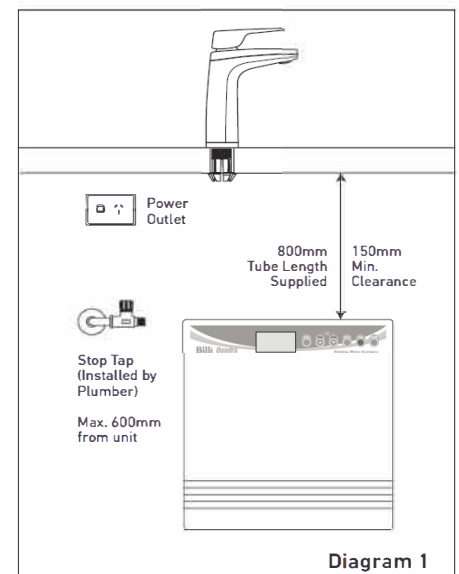
Warranty

All components of the Billi Eco are covered by a 12 month warranty. This does not include filter cartridges which are consumables and therefore not covered by warranty.

Certifications

Every Billi drinking water appliance is manufactured under a certified quality control system. The Billi Eco has been tested and complies with all required standards including: Watermark Licence Number 21525; Tested to AS3498 and AS/NZS4020; Victorian Electrical Safety Act 1998 Approval Number CS1006600V, AS/NZ ISO9002; AS1428 Accessibility Design Requirements; Section J6 of the BCA, Certificate Number QEC 11627: C-Tick approved.

Preferred installation layout



Technical Advice?

Please call us on 02 9458 1111