



---

Installation guide  
Billi Eco



# Installation requirements.

## —Components for Billi Eco

Before commencing installation, ensure you have identified the following.

1. Underbench module
2. Dispenser upper with tubing
3. Dispenser base & mount
4. Barb locking bush
5. 4mm chrome screw & allen key
6. Large washer
7. Tube spring clamps x 3
8. 450mm flexible braided hose
9. Filter Cartridge (installed)
10. User guide
11. Warranty Registration Card
12. Ensure a Stop Tap is installed 450mm from the Billi unit water supply inlet (Stop Tap not supplied)

## —Determine Unit Location

Plan the installation. Dispenser tube lengths, position of power and water outlets, required air space around the underbench module and access for service must be considered before cutting tube lengths. Refer to Diagrams 1, 2 and 3 for clearances around the dispenser and unit. Unit must be installed horizontally with plastic vent panel facing to front of cupboard. The Eco is designed for internal installation only.

## —Water Supply

The Eco must only be connected to a cold water supply. A 15mm stop tap (not supplied) is to be installed in an easily accessible position within 450mm from the Eco water supply inlet.

Supply Pressure: 250 – 500 Kpa\*

Supply Temperature: 5°C – 30°C

\* Where supply pressure is greater than 500Kpa a PLV must be fitted. Billi recommends PLV's with anti-hammer properties.

**Do not install with water that is microbiologically unsafe or with water of unknown quality without adequate disinfection before or after the system. Systems certified for cyst reduction may be used on disinfected water that may contain filterable cysts.**

## —Ventilation

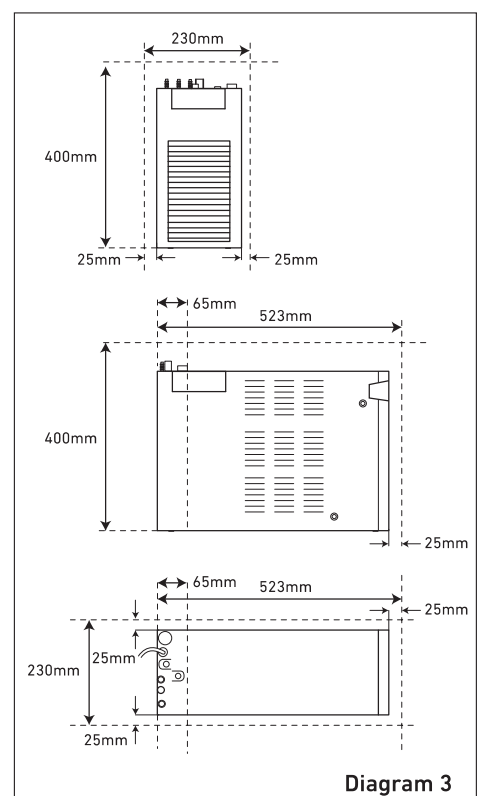
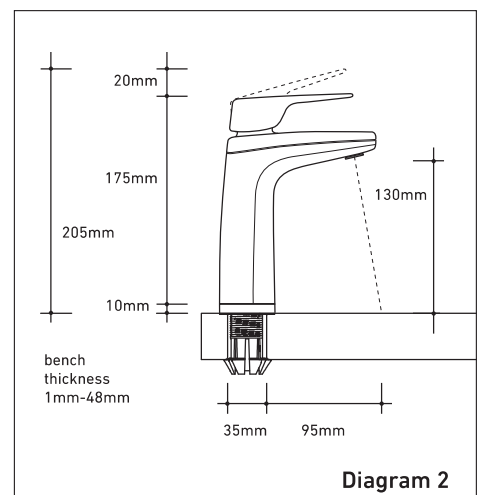
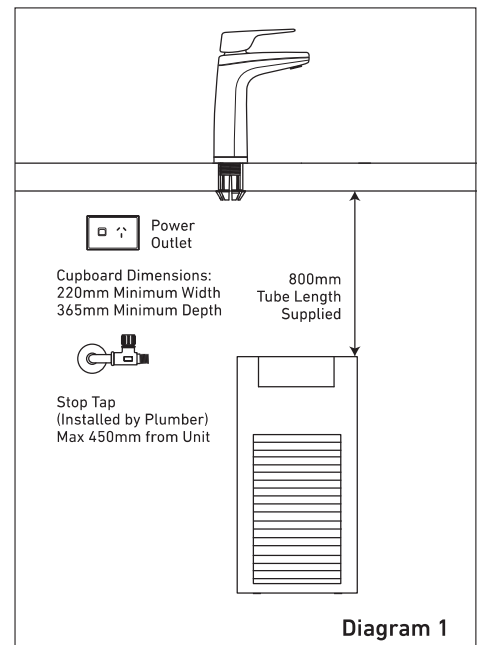
The Eco requires no specific cupboard ventilation but adequate air space and an unobstructed clearance of at least 25mm on each side of the underbench unit is necessary.

**IMPORTANT: Insufficient ventilation will cause inefficient refrigeration system operation, increasing power usage.**

## —Power Requirements

A single 10 amp standard power outlet is required.

Eco module is supplied with 1 metre of flex cord and plug.



# Installing the dispenser.

**IMPORTANT:** This Billi appliance is to be installed by a licensed tradesperson in accordance with AS 3500.4 or AS/NZ 3500.4.2 and in compliance with applicable state regulatory requirements. For correct operation of this appliance, it is essential to observe the manufacturer's instructions.

## 1. Install Dispenser Assembly

Determine position of dispenser mounting hole in sinktop or benchtop. Dispenser base template (Diagram 4) may be cut out and used to assist in correct positioning. Refer to Diagram 2 for clearances allowed. Hole size required is  $\varnothing 32\text{mm}$ .

### —Stainless Steel Sinktop

A suitable 32mm hole punch (Part no: 857901) is available as an accessory from Billi Pty Ltd. If possible, cut hole with die mounted below the sinktop surface so that burr is pulled downwards. Alternatively, remove burr and radius edge of hole with fine file. This allows barbed dispenser mount to slide smoothly into mounting hole. Oil hole punch regularly. Lubricate surface to be cut with detergent.

### —Timber/Laminate Benchtop

Maximum benchtop thickness is 50mm. Cut 32mm hole in appropriate position\*. When drilling through a particle board bench top, take care to avoid a large chip breaking away as drill breaks through underside surface. We recommend drilling a small pilot hole through benchtop, partially drilling the 32mm hole from underneath and then completing drilling the hole from above. The large 30mm washer supplied may be used to secure barb where underside particle board bench top has chipped away.

\* For stone or granite bench tops you will require a certified stone mason to pre-drill the hole.

## 2. Activate Dispenser Swivel Feature

To activate the swivel feature of your dispenser, you will need to remove the locking piece from the dispenser base. Simply push out the piece as show in Diagram 5. This will allow the tap to move 45 degrees to the left and right.

## 3. Fit Dispenser Base

\*Make sure you have activated the dispenser swivel feature prior before proceeding

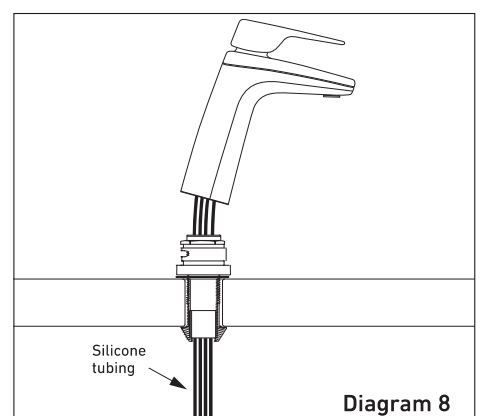
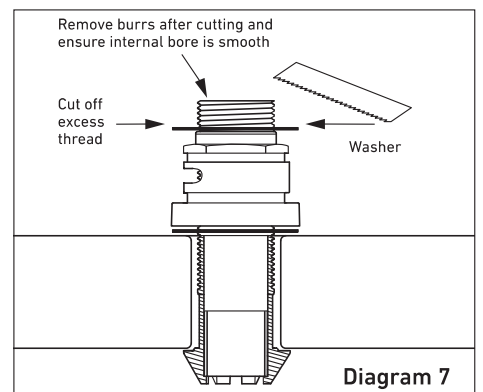
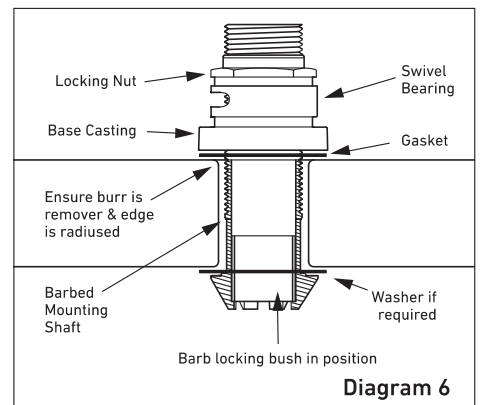
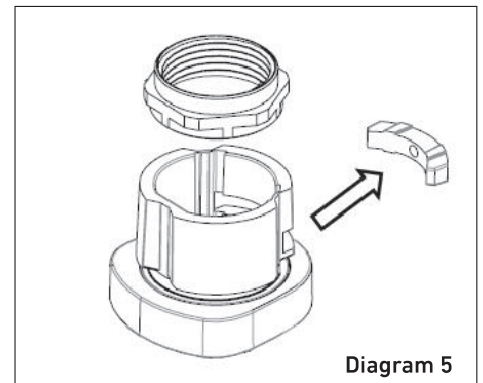
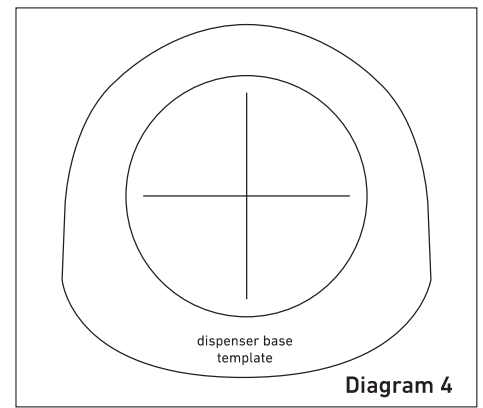
- Cut a 32mm hole in sinktop or benchtop. Remove burr if protruding upwards.
- Push barbed mounting shaft through mount hole.
- Insert barb locking bush as shown in Diagram 6. Finger tighten nut.
- Ensure barb is centred in mount hole before tightening. Check position of base ring and gasket.
- Moderately tighten locking nut using multigrips or spanner. Take care to avoid overtightening nut which may break the plastic threaded shaft.

- Place large washer over thread as shown in Diagram 7.
- Cut off excess threaded shaft with a hacksaw, using washer as a cutting guide. (Diagram 7)

**IMPORTANT:** Remove burrs and check internal bore is completely smooth.

## 4. Fit Dispenser Head Assembly

- Lay dispenser head assembly alongside mounting base assembly.
- Feed dispenser tubing and loom through centre hole in the following order:
  - Dispenser power cord.
  - Grey vent silicone tube. Feed tube until reducing join passes through mount assembly – see Diagram 8.
  - Red and blue silicone tubing. To assist feeding the tubing, we recommend using silicone spray lubricant. Do not attempt to force tubing through with a pointed object as silicone tube is easily punctured, gently pull hoses from under bench top to avoid kinking or twisting. Check tubing is not kinked or twisted.
- Turn dispenser head assembly to approximately  $60^\circ$  from the straight ahead position of dispenser base. Slide head assembly whilst gently pulling tubing downwards from underneath to prevent tubing bunching and kinking. Mounting lugs will pass nut and slide down the 3 grooves on the swivel bearing.
- Once fully down, turn dispenser to straight ahead position. Check dispenser now swivels smoothly  $45^\circ$  in each direction.



# Installing underbench module.

## 1. Flush Water Supply

Flush water supply pipework before installing the underbench unit by connecting 600mm flexible braided hose to the supply tap and running water into a bucket.

## 2. Install Underbench Unit

Take care to observe minimum clearances. This is particularly important with air-cooled models. Ensure there is adequate access to service the unit.

## 3. Connect Dispenser Tubing and Electrical Plug

Connect all tubing and electrical plug as shown in Diagram 8 & 9.

Ensure correct orientation of dispenser power plug before insertion. Trim tubes to correct lengths using a sharp knife or plastic tube cutter. Avoid leaving excess tubing which will sag, trapping water. Fit spring clamps supplied to retain silicone rubber tubing to barbed fittings

**IMPORTANT: Boiling outlet (red) and vent tube (grey) must not be kinked and must be installed with a continual fall.**

## 4. Commission the System

- Turn blue temperature control knob to OFF.
- Turn electricity supply ON at wall outlet.
- Turn water supply tap ON.
- Check that there are no leaks.
- Wait for unit to calibrate (10-15mins). The red and blue lights will come on then red only. Wait till unit has steamed and red and blue lights come back on.

Determine which tap your unit has – refer to diagrams 2a, b & c.

## 5. Enter Pipe Length Calibration Mode

To enter SETUP mode, turn on the unit and wait for normal operation.

Now depress both the Hot and Cold levers and while they are down, touch and rest your finger on the safety switch (safety switch is indent located on the back of the tap) for 3 seconds until the display has changed to yellow, then release the switch and both levers.

Once in SETUP mode, repeat the procedure for entering setup – this will take you to the pipe length calibration mode. The red and blue tap indicators will now blink: blue slowly and red faster.

To change the pipe length:

- Press and release the Hot Lever to reduce the pipe length.
- Press and release the Cold Lever to increase the pipe length.
- After each press wait for the tap to demonstrate the dispense operation. No water should be dispensed when the correct length is selected.

- The best way to determine the correct pipe length setting is to increase the length (by pressing the Cold Lever or touching the cold (blue) icon) until a splash of water is observed, then decrease the length (by pressing the Hot Lever or touching the hot (red) icon) until no splash is observed.

Press or touch the safety switch to save the new settings.

## 6. Flush the Unit

- Latch cold (left) lever into the UP position
- When cold water stops running, return cold lever to OFF position
- Wait for 10 minutes
- Latch cold lever into the UP position
- When cold water stops running, return cold lever to OFF position
- Latch hot lever into the UP position
- When hot water stops running, return hot lever to OFF position

**Re-check Connections for Leaks Explain Operation to User**

## INSTALLATION AND COMMISSIONING CHECKLIST

- Filter packing foam removed from under filter cannister.
- Dispenser mounted securely.
- Dispenser swivels 45° in each direction – Locking piece is removed
- Tubing is cut to correct lengths and not kinked or sagging. Red, grey and 10mm black tubes have a continual fall.
- Tubing not twisted or kinked.
- Tubing secured correctly – nuts and spring clips.
- Water main flushed before connection to unit.
- Unit connected to COLD water supply.
- Correct air clearances around unit.
- Power circuit fitted with an RCD – earth leakage protection device.
- Sawdust cleaned out of cupboard area.
- Initial program settings correctly set for dispenser tube length.
- Unit heating and cooling (after initial fill). Red and blue dispenser icons flashing (or on continually when reached temperature).
- Boiling and chilled water flow correct.

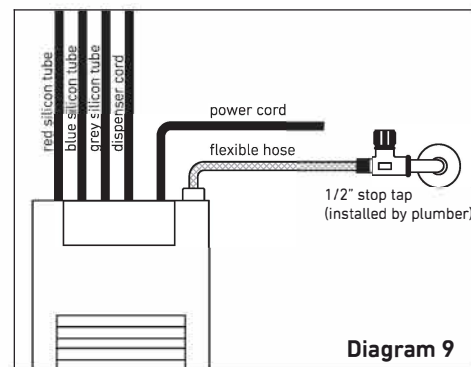


Diagram 9

## WARNINGS.

**For continued safety of this appliance it must be installed, operated and maintained in accordance with the manufacturer's instructions.**

- Your appliance should be installed by a suitably qualified tradesperson.
- For correct operation of this appliance it is essential to observe the instructions as outlined in this booklet.
- Do not use this appliance with water that is microbiologically unsafe or with water of unknown quality without adequate disinfection before or after the system. Systems certified for cyst reduction may be used on disinfected water that may contain filterable cysts.
- Filter replacement must be performed at intervals of not more than 6 months.
- Use this appliance only as directed in these instructions and only for its designed purpose.
- This appliance is not intended for use by persons (including children) with reduced physical, sensory or mental capabilities, or lack of experience and knowledge, unless they have been given supervision or instruction concerning use of the appliance by a person responsible for their safety.
- Children should be supervised to ensure that they do not play with the appliance.
- DANGER:** The operation of the thermal cut-out indicates a possibly dangerous situation. Do not reset the thermal cut-out until the water heater has been serviced by a qualified person.
- WARNING:** Do not connect any restrictor or pressure relief device to the vent pipe of this water heater if installed.
- If the supply cord is damaged, it must be replaced by the manufacturer, its service agent or similarly qualified persons in order to avoid a hazard.
- New hose-sets supplied with the appliance are to be used and old hose-sets should not be re-used.

Designed and manufactured in Australia.

As Billi Pty Ltd has a policy of continual improvement, all details are subject to change without notice. All goods are sold subject to our published terms and conditions. Billi is a registered trademark. 1012