

Ultra High Purity Plus Reverse Osmosis

Countertop 4 Stage Water Filter System with Alkaliser

Convenient Portable Design
Ideal for renters

Superior Protection
Efficient 4 stage filtration

5 Year Warranty*
Hand built & factory tested in Australia

The Ultra High Purity Reverse Osmosis 4 stage water filter system removes contaminants that are of concern to the consumer - such as chlorine, pesticides and heavy metals. The new fourth stage inline Alkaliser Filter provides enhanced water that is both energised and mineralised. This healthy inclusion re-introduces minerals such as sodium, magnesium, calcium and potassium, raises the pH level (between 8 - 10pH) and lowers ORP (Oxygen Reduction Potential).



- Of all methods that purify drinking water for domestic use, the process of reverse osmosis is the most advanced, economical and effective.
- Most impurities are flushed down the drain rather than collected in the filters.
- Ideal for those looking to reduce acidic toxic waste in the blood, tissues and fluids of the body and thus adhere to a more alkaline state required by most human metabolic processes.

Specifications

Item Code	IT004000
Output @60 Psi 25°C	approx. 380 litres p/day
Dimensions (cm)	34(W) x 17(H) x 16(D)
Micron Rating	0.0005 micron
Warranty	5 years*

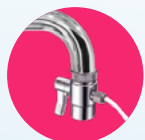
Among the many contaminants removed:

Aluminium	Iron
Barium	Lead
Cadmium	Manganese
Chlorine	Mercury
Chromium	Nitrate
Copper	PCB's
Cryptosporidium	Potassium
e-Coli	Radium
Fluoride	Selenium
Giardia	Sodium
Hydrocarbons	Taste & Odour



'Twist-Off' cartridges

Ensures a simple, hygienic, no mess means of system maintenance.



No mains plumbing required

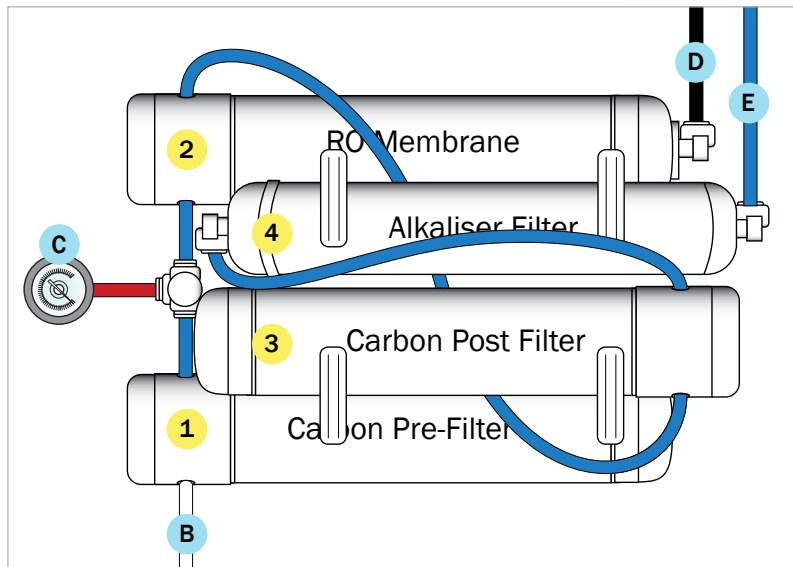
Simply attaches to your existing kitchen faucet/aerator using the included fittings.

For more information go to www.watershop.com.au

*Warranty Terms & Conditions apply.

Ultra High Purity Plus Reverse Osmosis Countertop System

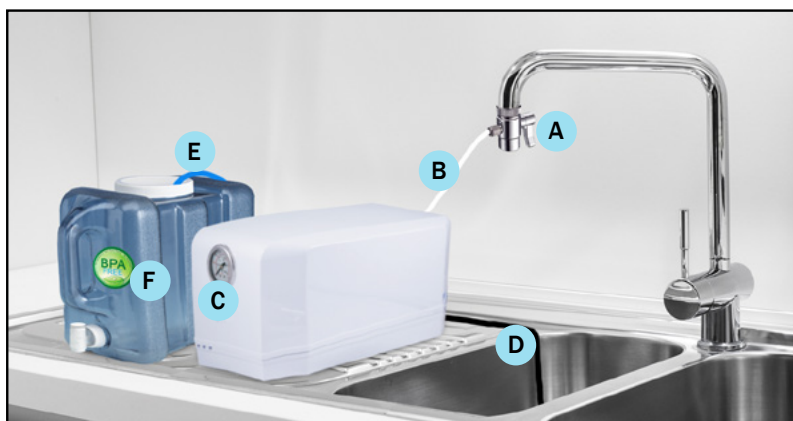
Filtration Process Diagram 1



Labelled Components

- 1 Carbon Pre-Filter** *Made in USA*
Removes particulate matter, chlorine and other organic pollutants for membrane protection.
 - 2 Ultrafine TFC RO Membrane** *Made in USA*
Screens to 0.0005 micron, filtering viruses, bacteria and parasites. Repels heavy metals and removes fluoride and hydrocarbons.
 - 3 Carbon Post-Filter** *Made in USA*
Polishing filter results in great tasting, pure water.
 - 4 Alkaliser Filter** *Made in USA*
Alkalisising and mineralising filter - raises pH and lowers ORP (Oxygen Reduction Potential).
-
- A Diverter**
Connects the kitchen faucet to the white tube.
 - B 1/4" White Tube** **FOOD GRADE**
Connects the diverter to the filter system.
 - C Pressure Gauge**
Indicates incoming water pressure and condition of pre-filter.
 - D 1/4" Black Tube** **FOOD GRADE**
Feeds waste water to the drain.
 - E 1/4" Blue Tube** **FOOD GRADE**
Feeds pure water to the storage container.
 - F Storage Container** **BPA FREE**
Available as an optional extra.

Countertop Setup Diagram 2



Installation Instructions

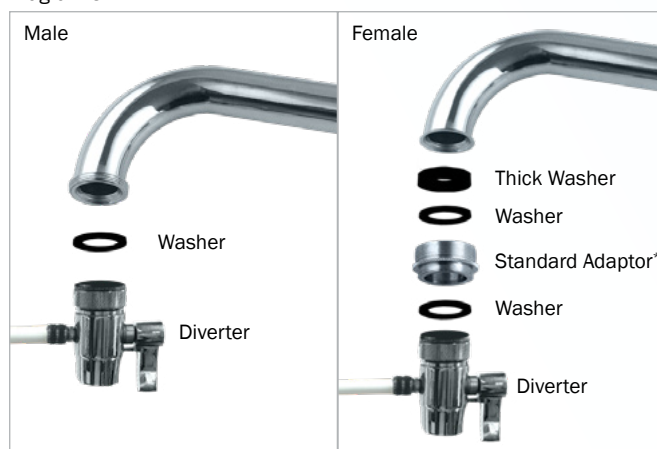
This system is for use on a microbiologically safe, cold water line only.

1. Find a convenient countertop location to place the filter system in reach of your faucet.
2. Unscrew the existing aerator from your faucet.
3. Referring to Diagram 3 - an external thread indicates a male fitting, while an interior thread indicates a female fitting. With a male fitting, simply screw on the Diverter. With a female fitting, first screw on the Standard Adaptor provided, then screw on the Diverter.
4. Flush the system for a few minutes before use, this will remove their non-toxic carbon fines and oxygen (air bubbles) from the new cartridges.



A Maintenance Guide is available for this system
Visit www.watershop.com.au/UHPRO-Countertop

Diagram 3



*We stock a range of adaptors if the standard adaptor does not fit.



North Shore Showroom
425 Miller Street, Cammeray NSW 2062

Inner West Showroom
342-350 Parramatta Road, Stanmore NSW 2048

02 9458 1111 sales@watershop.com.au www.watershop.com.au