

Ceramic Single Countertop

Replacing Your Filter Cartridge

PLEASE READ CAREFULLY BEFORE ATTEMPTING MAINTENANCE

IMPORTANT: Ensure the diverter (attached to the kitchen faucet) is closed.

1. Unscrew the filter housing sump anti-clockwise from the housing stand over the sink, releasing any water contained within the system.

Note: It is common for the O-ring to lift out of the housing and stick to the base.

2. Remove the O-ring from the housing sump and wipe it clean. Lightly lubricate the O-ring with a coating of silicone grease or olive oil.

Caution: If the O-ring appears damaged, stretched or crimped it should be replaced at this time. Manufacturers recommend them being replaced every year. Please contact us if you need any replacement parts.

3. Clean the housing sump by filling it with approximately 1/3 of water. Add about 2 or 3 tablespoons of a disinfectant of your choice and scrub it thoroughly with a brush or sponge. Rinse thoroughly with water.

4. Put the O-ring back in place within the housing sump and press it down level into the groove (see Diagram 1). This is vitally important to ensure a proper water seal.

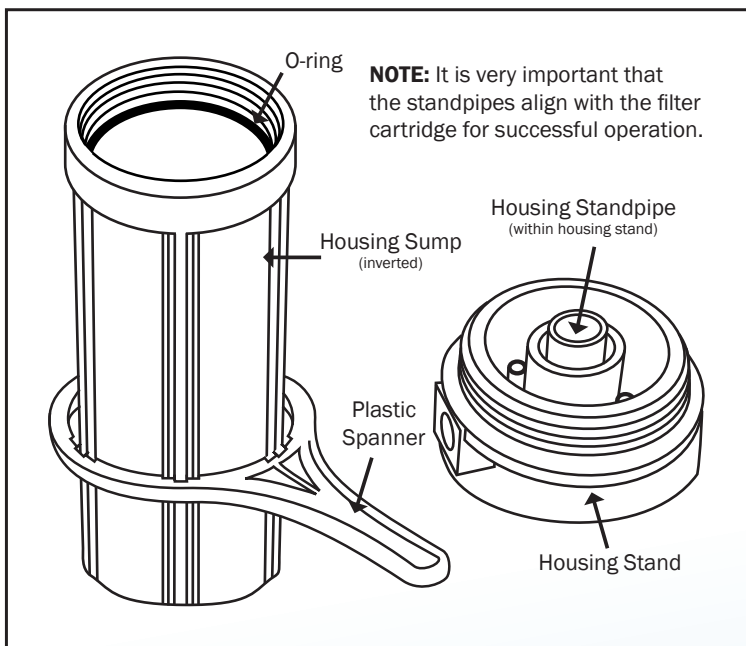
5. Remove the new cartridge from the plastic wrapping and ensuring the cartridge is the correct orientation insert it into the housing stand, slipping it down over the housing sump stand (see Diagram 1 and 2).

6. Slipping the filter housing sump over the installed cartridge, screw the housing sump onto the housing base and hand-tighten. Do not overtighten.

Note: A new carbon cartridge may contain a small amount of carbon fines (very fine black powder). Hence, after installation, the new cartridge should be flushed with sufficient water to remove them.

7. Your system is now ready for use!

Diagram 1



Labelled Components

A Doulton Ultracarb® Filter	4 Housing Stand
1 Housing Sump	5 Inlet
2 Stainless Steel Spout	6 Hose
3 Outlet	7 Diverter